



# 20,000 psi (1379 bar) Needle and Ball Valves

Catalog 4190-HH/20K

aerospace  
climate control  
electromechanical  
filtration  
fluid & gas handling  
hydraulics  
pneumatics  
process control  
sealing & shielding



ENGINEERING YOUR SUCCESS.



# Contents

Page 4 ..... **Introduction : Needle Valve**

Page 5 ..... **Design Features**

Page 6 ..... **Construction**

Page 7 ..... **Introduction : Ball Valve**

Page 8 ..... **Design Features**

Page 9 ..... **Construction**

Page 10 ..... **Available End Connections**

Page 11 ..... **How to Order**

 **WARNING**

FAILURE, IMPROPER SELECTION OR IMPROPER USE OF THE PRODUCTS AND/OR SYSTEMS DESCRIBED HEREIN OR RELATED ITEMS CAN CAUSE DEATH, PERSONAL INJURY AND PROPERTY DAMAGE.

This document and other information from Parker Hannifin Corporation, its subsidiaries or its authorized distributors provide product and/or system options for further investigation by users having technical expertise. It is important that you analyze all aspects of your application and review the information concerning the product or system in the current product catalog. Due to the variety of operating conditions and applications for these products or systems, the user, through its own analysis and testing, is solely responsible for making the final selection of the products and systems and assuring that all performance, safety and warning requirements of the application are met.

The products described herein, including without limitation, product features, specifications, designs, availability and pricing, are subject to change by Parker Hannifin Corporation and its subsidiaries at any time without notice.

**Offer of Sale**

The items described in this document are available for sale by Parker Hannifin Corporation, its subsidiaries or its authorized distributors. Any sale contract entered into by Parker will be governed by the provisions stated in Parker's standard terms and conditions of sale (copy available upon request).

# Introduction - Needle Valve

The Parker 20K H-Series needle valve has been purpose designed for operation with any fluid up to 20,000 psi (1379 bar) rating. Complete with standard PTFE gland packing and non rotational tip gives the user assurance of total in service sealing security. 100% repeatable bubble tight shut off and Tru-Loc® gland adjuster security are key features of this design. A range of end connections are offered including Phastite® and Cone & Thread, with additional options for NACE compatible and heat code traceable materials.

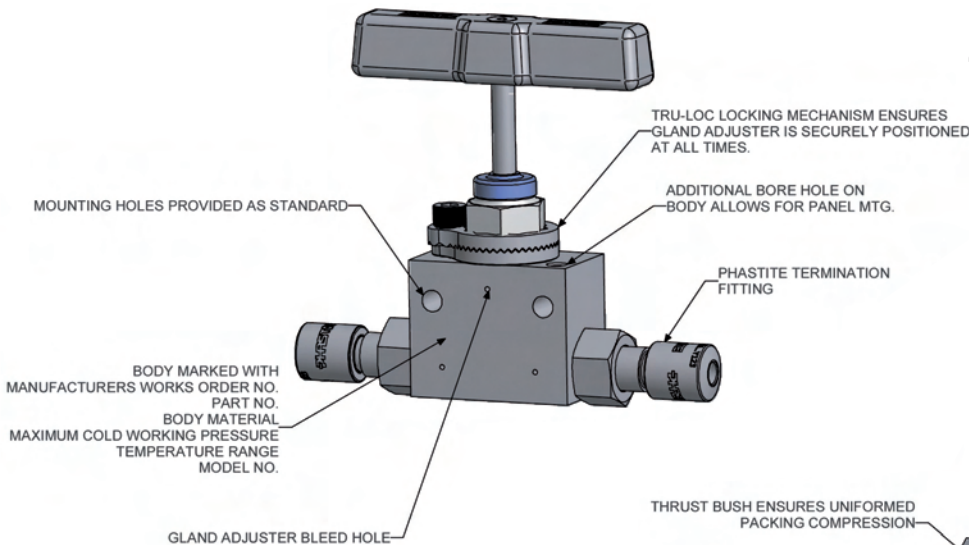
## Features

- All valves 100% factory tested
- Inlet & outlet connections on same plane for ease of installation
- PTFE packing
- Non rotating spindle tip for bubble tight shut off
- Externally adjustable packing
- NACE compatible option
- Operating threads outside washout area  
- No pressure retaining threads in contact with media
- Fine threaded stem raiser gives increased stem sensitivity and accuracy
- Tru-Loc® anti-vibration locking system on gland adjuster for 100% security
- HCT available on all wetted parts
- Alternative material options available on request
- Panel and side mounting as standard

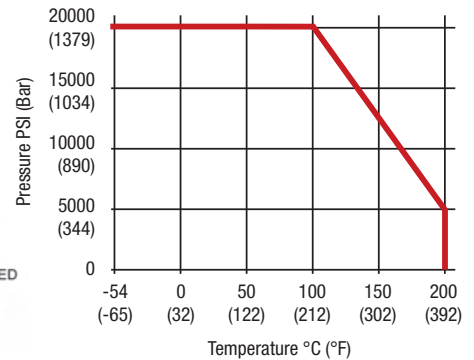
## Specifications

- 316 Stainless steel construction as standard
- Maximum cold working pressure rating - 20,000 psi (1379 bar)
- PTFE standard gland packing with PEEK anti-extrusion rings
- Max Cv 0.66 (dependent on fitting size)
- Temperature rating -54°C to +200°C (-65.2°F to +392°F)\*

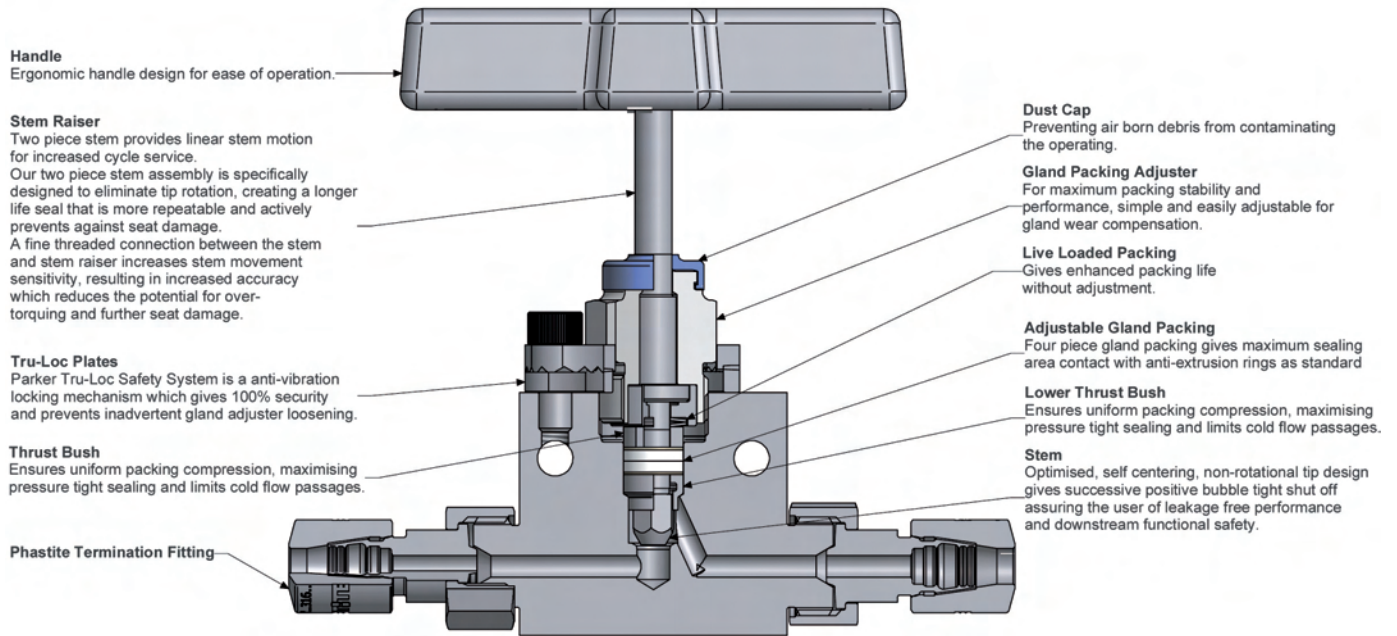
\*refer to P/T graph below



Pressure & Temperature Curve



# Design Features



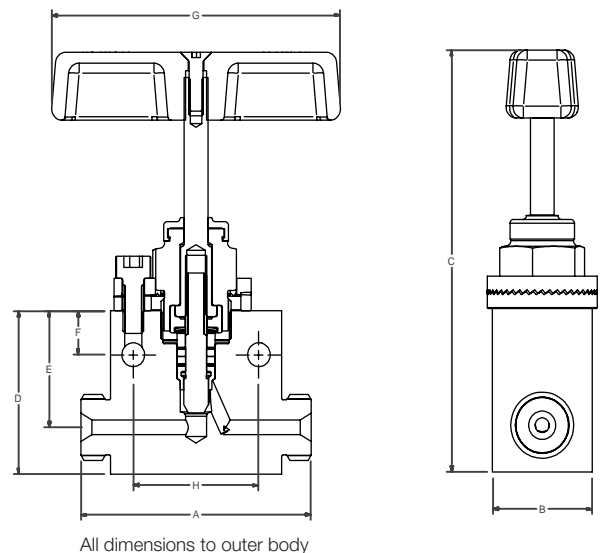
## Standard Range Part Numbers

Part no.	Inlet		Outlet		Orifice Size mm (inch)	Max Cv Rating	Dimension							
	Female	Female	Female	Female			A mm (inch)	B mm (inch)	C mm (inch)	D mm (inch)	E mm (inch)	F mm (inch)	G mm (inch)	H mm (inch)
<b>Cone and Thread</b>														
20KNVS4CT	1/4" C&T	1/4" C&T	2.8 (0.11)	0.14	50.8 (2.00)	28.6 (1.13)	113.2 (4.46)	41.3 (1.63)	31.8 (1.25)	12.0 (0.47)	82.7 (3.26)	36.0 (1.42)		
20KNVS6CT	3/8" C&T	3/8" C&T	5.0 (0.20)	0.50	63.5 (2.50)	28.6 (1.13)	116.4 (4.58)	44.5 (1.75)	33.0 (1.30)	12.0 (0.47)	82.7 (3.26)	36.0 (1.42)		
20KNVS9CT	9/16" C&T	9/16" C&T	6.0 (0.24)	0.66	76.2 (3.00)	28.6 (1.13)	122.7 (4.83)	50.8 (2.00)	36.5 (1.44)	12.0 (0.47)	82.7 (3.26)	36.0 (1.42)		
<b>Phastite</b>														
20KNVS4PH	1/4" PH	1/4" PH	3.7 (0.15)	0.14	66.0 (2.60)	28.6 (1.13)	116.4 (4.58)	44.5 (1.75)	31.8 (1.25)	12.0 (0.47)	82.7 (3.26)	36.0 (1.42)		
20KNVS6PH	3/8" PH	3/8" PH	6.0 (0.24)	0.50	66.0 (2.60)	28.6 (1.13)	122.7 (4.83)	50.8 (2.00)	34.9 (1.38)	12.0 (0.47)	82.7 (3.26)	36.0 (1.42)		
20KNVS8PH	1/2" PH	1/2" PH	6.0 (0.24)	0.66	66.0 (2.60)	28.6 (1.13)	122.7 (4.83)	50.8 (2.00)	34.9 (1.38)	12.0 (0.47)	82.7 (3.26)	36.0 (1.42)		
20KNVSM6PH	6 mm PH	6 mm PH	3.7 (0.15)	0.35	66.0 (2.60)	28.6 (1.13)	116.4 (4.58)	44.5 (1.75)	31.8 (1.25)	12.0 (0.47)	82.7 (3.26)	36.0 (1.42)		
20KNVSM8PH	8 mm PH	8 mm PH	4.7 (0.19)	0.60	66.0 (2.60)	28.6 (1.13)	122.7 (4.83)	50.8 (2.00)	34.9 (1.38)	12.0 (0.47)	82.7 (3.26)	36.0 (1.42)		
20KNVSM10PH	10 mm PH	10 mm PH	6.0 (0.24)	0.66	66.0 (2.60)	28.6 (1.13)	122.7 (4.83)	50.8 (2.00)	34.9 (1.38)	12.0 (0.47)	82.7 (3.26)	36.0 (1.42)		
20KNVSM12PH	12 mm PH	12 mm PH	6.0 (0.24)	0.66	66.0 (2.60)	28.6 (1.13)	122.7 (4.83)	50.8 (2.00)	34.9 (1.38)	12.0 (0.47)	82.7 (3.26)	36.0 (1.42)		
20KNVSM14PH	14 mm PH	14 mm PH	6.0 (0.24)	0.66	66.0 (2.60)	28.6 (1.13)	122.7 (4.83)	50.8 (2.00)	34.9 (1.38)	12.0 (0.47)	82.7 (3.26)	36.0 (1.42)		

Other materials and connection options are available. The actual pressure ratings for any alternative option will vary from those stated - please consult with factory for your specific requirements.

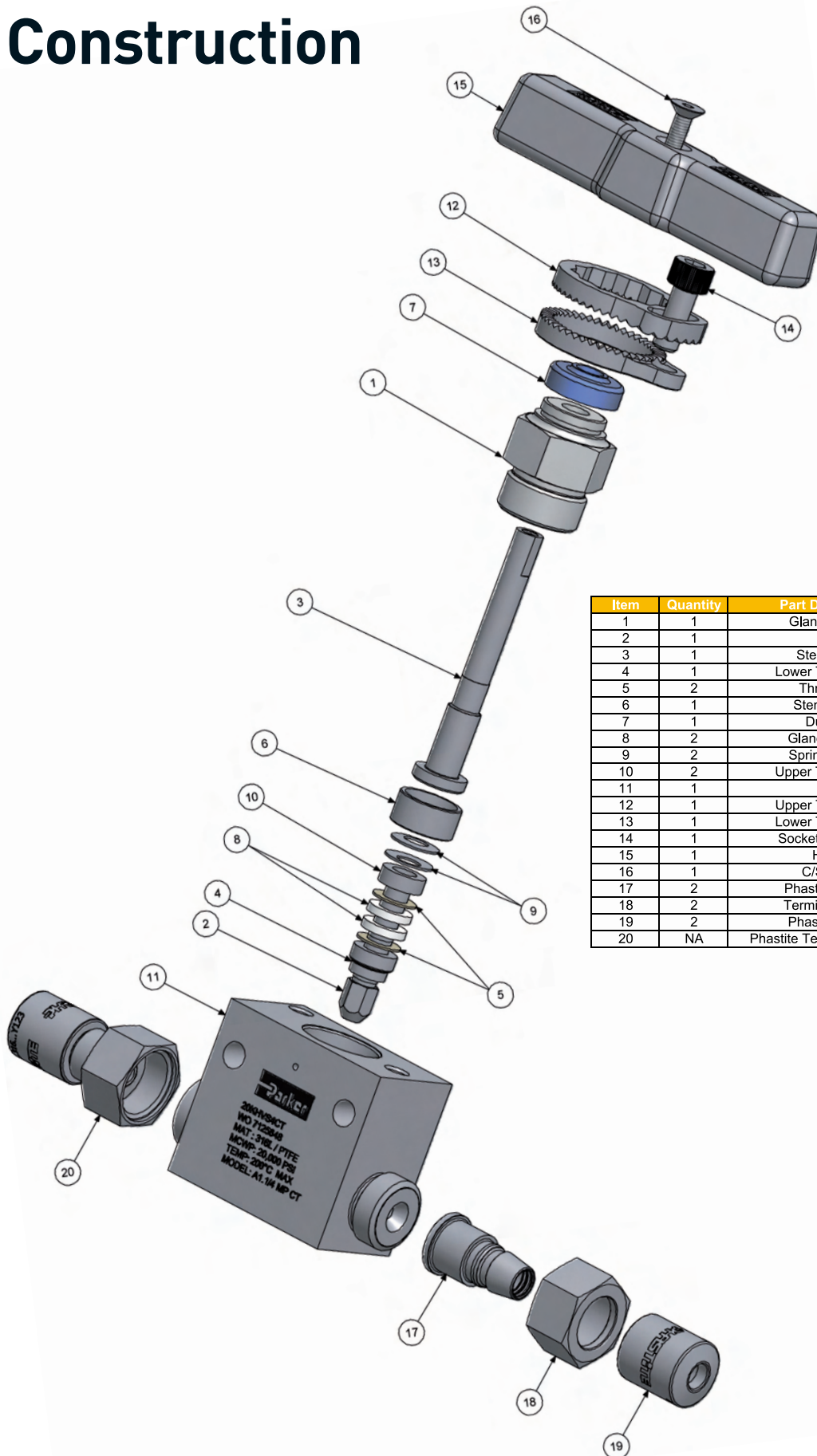
The specification of any alternative material, connection or tubing is critical to the overall performance of the system. Caution should be exercised by the user to ensure proper selection in accordance with actual operating or design conditions.

Valves with Phastite® connections are recommended for use with 316/316L tubing conforming to ASTM A-269, having a hardness not exceeding 90HRB.





# Construction



Item	Quantity	Part Description	Material
1	1	Gland Adjuster	ASTM A 479 Type 316
2	1	Stem	ASTM A 564 Type 17-4 PH
3	1	Stem Raiser	NES 833 Aluminium Bronze
4	1	Lower Thrust Bush	ASTM A 479 Type 316
5	2	Thrust Seal	PEEK
6	1	Stem Carrier	316 Stainless Steel
7	1	Dust Cap	Polymer
8	2	Gland Packing	Virgin PTFE
9	2	Spring Washer	316 Stainless Steel
10	2	Upper Thrust Bush	ASTM A 479 Type 316
11	1	Body	ASTM A 479 Type 316
12	1	Upper Tru-loc Plate	316 Stainless Steel
13	1	Lower Tru-loc Plate	316 Stainless Steel
14	1	Socket Cap Screw	316 Stainless Steel
15	1	Handle	316 Stainless Steel
16	1	C/S Screw	316 Stainless Steel
17	2	Phastite Ferrule	ASTM A 479 Type 316
18	2	Termination Nut	ASTM A 479 Type 316
19	2	Phastite Collar	ASTM A 479 Type 316
20	NA	Phastite Termination Fitting	NA

# Introduction - Ball Valve

The Parker 20K Hi-Pro Ball Valve is a two piece bi-directional ball valve designed for cold working pressure applications of up to 20,000 psi (1379 bar) rating, giving continuous repeatable performance. They are suitable for the most demanding applications in the oil, gas and process control industries with the option for bracket or panel mounting as standard across the range. 100% repeatable bubble tight shut off, user friendly design and Tru-Loc® gland adjuster security are key features of this design that help distinguish our 20K Ball Valves against others. A range of end connections are offered including Phastite® and Cone & Thread, with additional options for NACE compatible and heat code traceable materials.

## Features

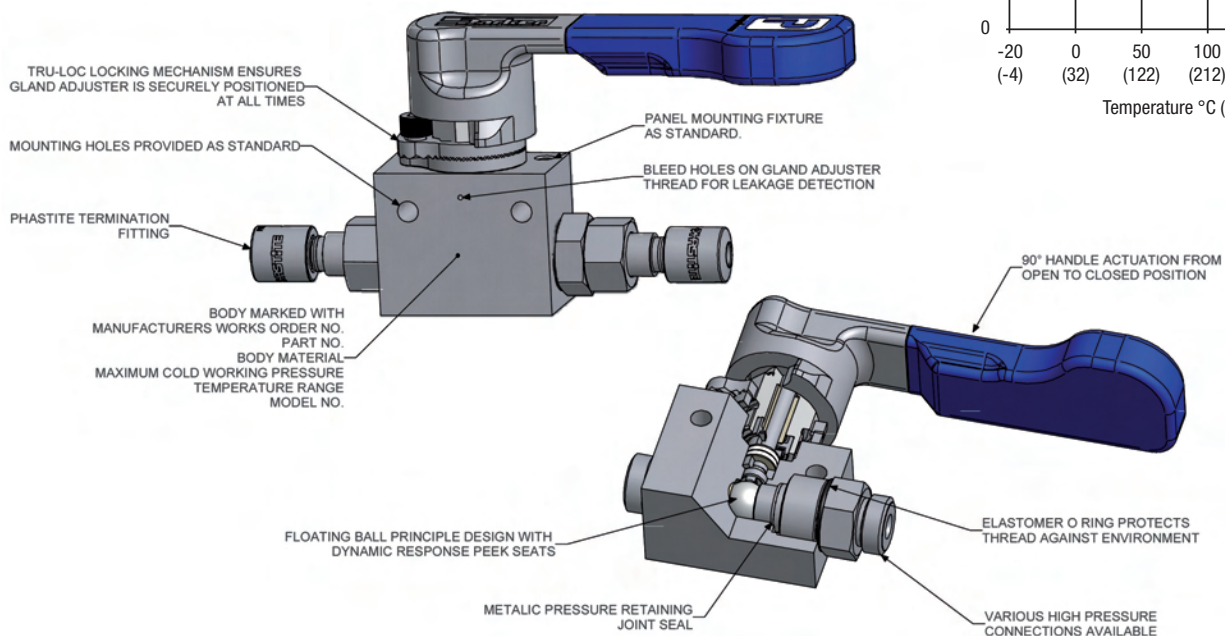
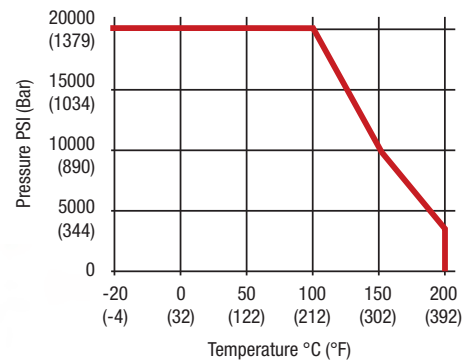
- Two piece body design minimises leakage paths
- Safe installation process
- Bi-directional
- PEEK standard ball seats material
- PTFE packing
- Bubble tight shutoff
- Floating ball principal with dynamic response seats
- Low torque operation
- Quarter turn positive stop handle with ergonomically designed protective sleeve
- Adjustable packing
- Full hydrostatic and low pressure air tested
- Connector thread environmentally sealed
- Various integral connections available
- Tru-Loc® anti-vibration locking system on gland adjuster for 100% security
- All valves 100% factory tested
- NACE compatible option
- HCT available on all wetted parts
- Alternative materials options available on request
- Panel and side mounting as standard

## Specifications

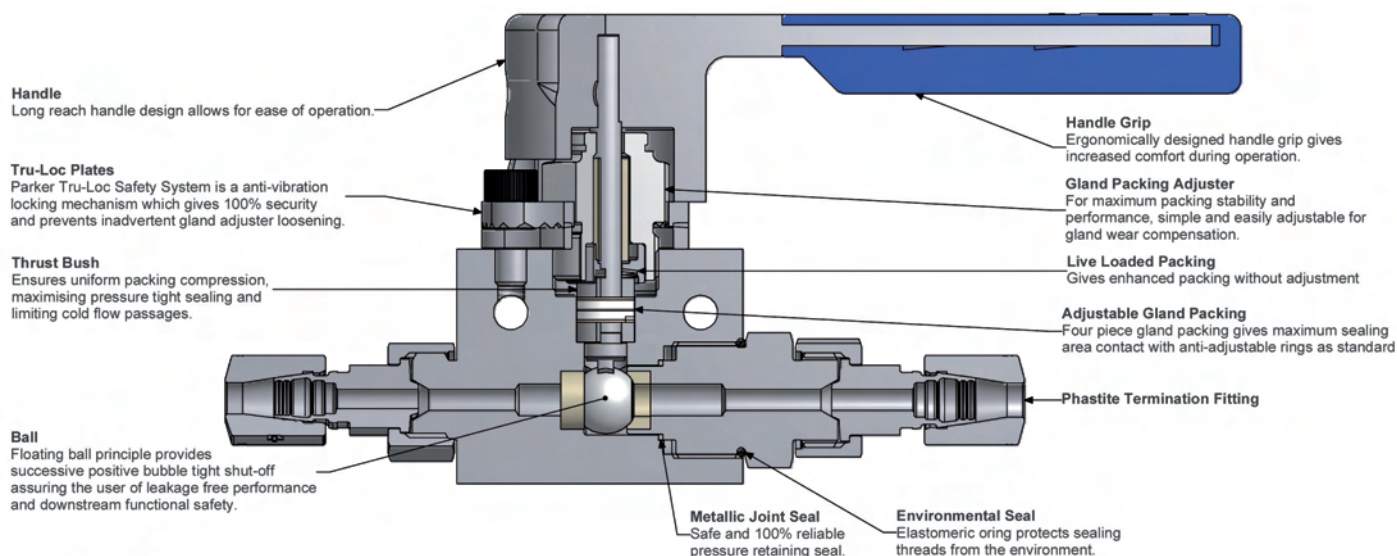
- 316 Stainless steel construction as standard
- Maximum cold working pressure rating
- 20,000 psi (1379 bar) with PEEK seats
- Max Cv 1.56 (dependent on fitting size)
- Temperature rating PEEK seats - 20°C to +200°C (-4°F to +392°F)\*

\*refer to P/T graph below

Pressure & Temperature Curve



# Design Features



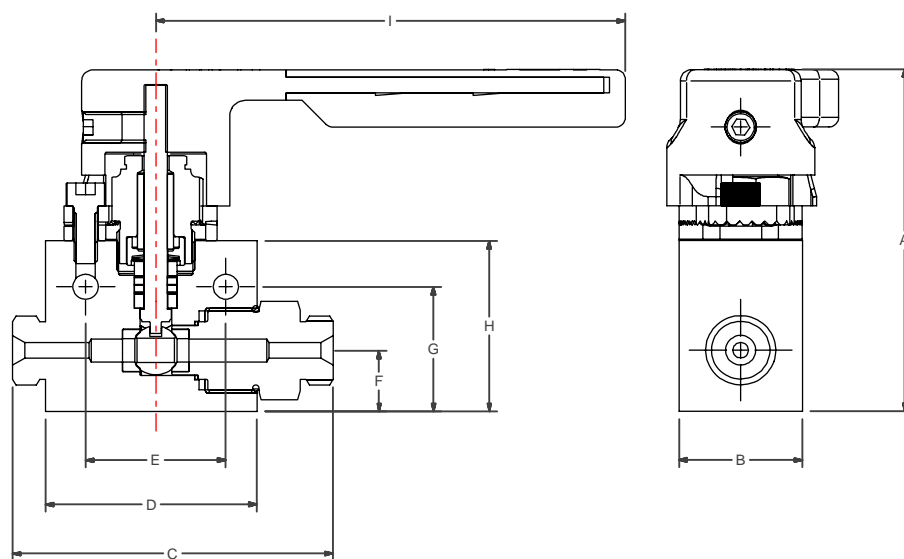
## Standard Range Part Numbers

Part no.	Inlet		Outlet		Orifice Size mm (inch)	Max Cv Rating	Dimension						
	Female	Female	Female	Female			A mm (inch)	B mm (inch)	C mm (inch)	D mm (inch)	E mm (inch)	F mm (inch)	G mm (inch)
<b>Cone and Thread</b>													
20KBVS4CT	1/4" C&T	1/4" C&T	2.8 (0.11)	0.25	89.1 (3.50)	31.8 (1.25)	75.6 (2.98)	56.0 (2.21)	36.0 (1.42)	15.9 (0.63)	32.5 (1.28)	44.5 (1.75)	120.5 (4.74)
20KBVS6CT	3/8" C&T	3/8" C&T	5.0 (0.20)	0.97	89.1 (3.50)	31.8 (1.25)	76.6 (3.02)	58.5 (2.30)	36.0 (1.42)	15.9 (0.63)	32.5 (1.28)	44.5 (1.75)	120.5 (4.74)
20KBVS9CT	9/16" C&T	9/16" C&T	6.0 (0.24)	1.56	89.1 (3.50)	31.8 (1.25)	89.6 (3.53)	63.5 (2.50)	36.0 (1.42)	15.9 (0.63)	32.5 (1.28)	44.5 (1.75)	120.5 (4.74)
<b>Phastite</b>													
20KBVS4PH	1/4" PH	1/4" PH	3.7 (0.15)	0.50	89.1 (3.50)	31.8 (1.25)	82.3 (3.24)	54.3 (2.14)	36.0 (1.42)	15.9 (0.63)	32.5 (1.28)	44.5 (1.75)	120.5 (4.74)
20KBVS6PH	3/8" PH	3/8" PH	6.0 (0.24)	1.56	89.1 (3.50)	31.8 (1.25)	78.1 (3.08)	51.0 (2.01)	36.0 (1.42)	15.9 (0.63)	32.5 (1.28)	44.5 (1.75)	120.5 (4.74)
20KBVS8PH	1/2" PH	1/2" PH	6.0 (0.24)	1.56	89.1 (3.50)	31.8 (1.25)	80.0 (3.15)	51.0 (2.01)	36.0 (1.42)	15.9 (0.63)	32.5 (1.28)	44.5 (1.75)	120.5 (4.74)
20KBVSM6PH	6 mm PH	6 mm PH	3.7 (0.15)	0.50	89.1 (3.50)	31.8 (1.25)	82.3 (3.24)	54.3 (2.14)	36.0 (1.42)	15.9 (0.63)	32.5 (1.28)	44.5 (1.75)	120.5 (4.74)
20KBVSM8PH	8 mm PH	8 mm PH	4.7 (0.19)	0.90	89.1 (3.50)	31.8 (1.25)	78.1 (3.08)	51.0 (2.01)	36.0 (1.42)	15.9 (0.63)	32.5 (1.28)	44.5 (1.75)	120.5 (4.74)
20KBVSM10PH	10 mm PH	10 mm PH	6.0 (0.24)	1.56	89.1 (3.50)	31.8 (1.25)	78.1 (3.08)	51.0 (2.01)	36.0 (1.42)	15.9 (0.63)	32.5 (1.28)	44.5 (1.75)	120.5 (4.74)
20KBVSM12PH	12 mm PH	12 mm PH	6.0 (0.24)	1.56	89.1 (3.50)	31.8 (1.25)	80.0 (3.15)	51.0 (2.01)	36.0 (1.42)	15.9 (0.63)	32.5 (1.28)	44.5 (1.75)	120.5 (4.74)
20KBVSM14PH	14 mm PH	14 mm PH	6.0 (0.24)	1.56	89.1 (3.50)	31.8 (1.25)	79.1 (3.11)	51.0 (2.01)	36.0 (1.42)	15.9 (0.63)	32.5 (1.28)	44.5 (1.75)	120.5 (4.74)

Other materials and connection options are available. The actual pressure ratings for any alternative option will vary from those stated - please consult with factory for your specific requirements.

The specification of any alternative material, connection or tubing is critical to the overall performance of the system. Caution should be exercised by the user to ensure proper selection in accordance with actual operating or design conditions.

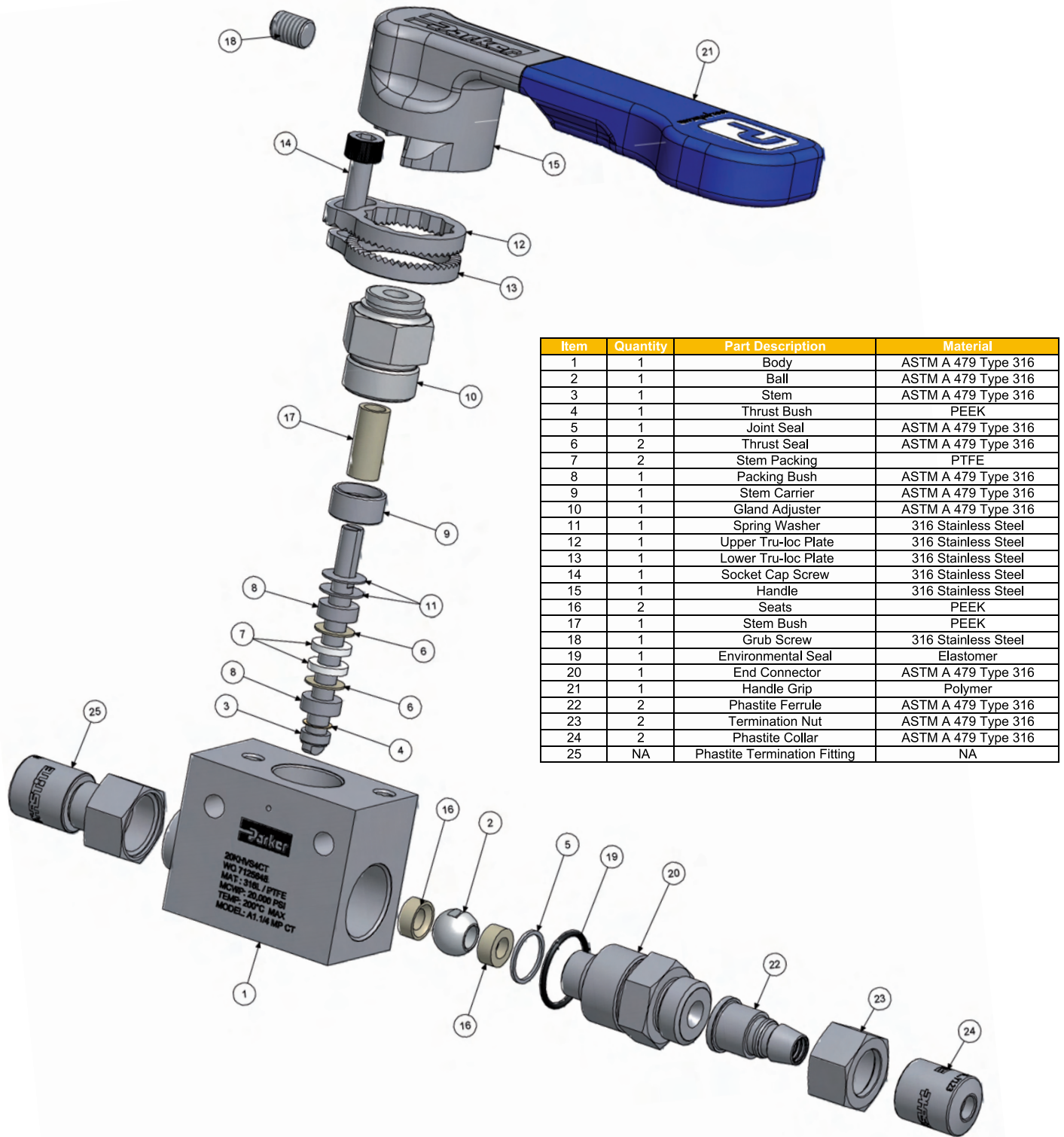
Valves with Phastite® connections are recommended for use with 316/316L tubing conforming to ASTM A-269, having a hardness not exceeding 90HRB.



All dimensions to outer body



# Construction



Item	Quantity	Part Description	Material
1	1	Body	ASTM A 479 Type 316
2	1	Ball	ASTM A 479 Type 316
3	1	Stem	ASTM A 479 Type 316
4	1	Thrust Bush	PEEK
5	1	Joint Seal	ASTM A 479 Type 316
6	2	Thrust Seal	ASTM A 479 Type 316
7	2	Stem Packing	PTFE
8	1	Packing Bush	ASTM A 479 Type 316
9	1	Stem Carrier	ASTM A 479 Type 316
10	1	Gland Adjuster	ASTM A 479 Type 316
11	1	Spring Washer	316 Stainless Steel
12	1	Upper Tru-loc Plate	316 Stainless Steel
13	1	Lower Tru-loc Plate	316 Stainless Steel
14	1	Socket Cap Screw	316 Stainless Steel
15	1	Handle	316 Stainless Steel
16	2	Seats	PEEK
17	1	Stem Bush	PEEK
18	1	Grub Screw	316 Stainless Steel
19	1	Environmental Seal	Elastomer
20	1	End Connector	ASTM A 479 Type 316
21	1	Handle Grip	Polymer
22	2	Phastite Ferrule	ASTM A 479 Type 316
23	2	Termination Nut	ASTM A 479 Type 316
24	2	Phastite Collar	ASTM A 479 Type 316
25	NA	Phastite Termination Fitting	NA

# Available End Connections

## Phastite®

Phastite® is the perfect partner for both the 20K Hi-Pro Ball Valve and 20K H-Series Needle Valve. It's a breakthrough in tube connection systems with an innovative design concept that combines quick installation with a simple assembly process. Phastite® is manufactured from standard materials and requires no special processes to be adopted.

### Design

Phastite® has been specifically designed to meet ever-increasing industry standards and demands with regards to tube connectors and pressure containment. The latest CAE and FEA techniques have been employed to optimise the design of the connectors and assembly tooling.

### Simple make-up

Consistent make-up to a pre-determined stop face on the body. This reduces the possibility of any incorrect make-up.

Valves with Phastite® connections are designed and recommended for use with 316/316L tubing conforming to ASTM A-269, having a hardness not exceeding 90HRB.

Further information on Phastite® can be found in our technical catalogue 4235-PH.

### Increased Safety

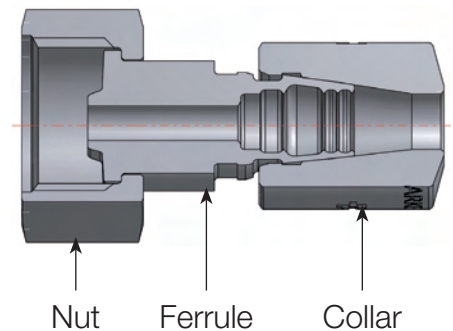
Phastite's simple assembly process dramatically reduces the number of operations needed to assemble a leak free joint. Simply insert the tubing into the pre-assembled connector. The Phastite® tooling delivers a leak free connection first time - every time.

### Vibration tolerant

Phastite® provides a permanent leak free connection. There are no threaded components, removing potential loosening problems in vibration applications.

### No loose parts

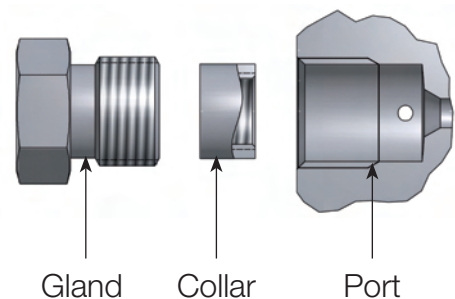
Phastite® connectors are supplied pre-assembled, no loose parts and no disassembling needed by the installer. This eliminates assembly errors, as there are no parts to lose or incorrectly assemble.



## Cone & Thread 20,000 PSI Fittings

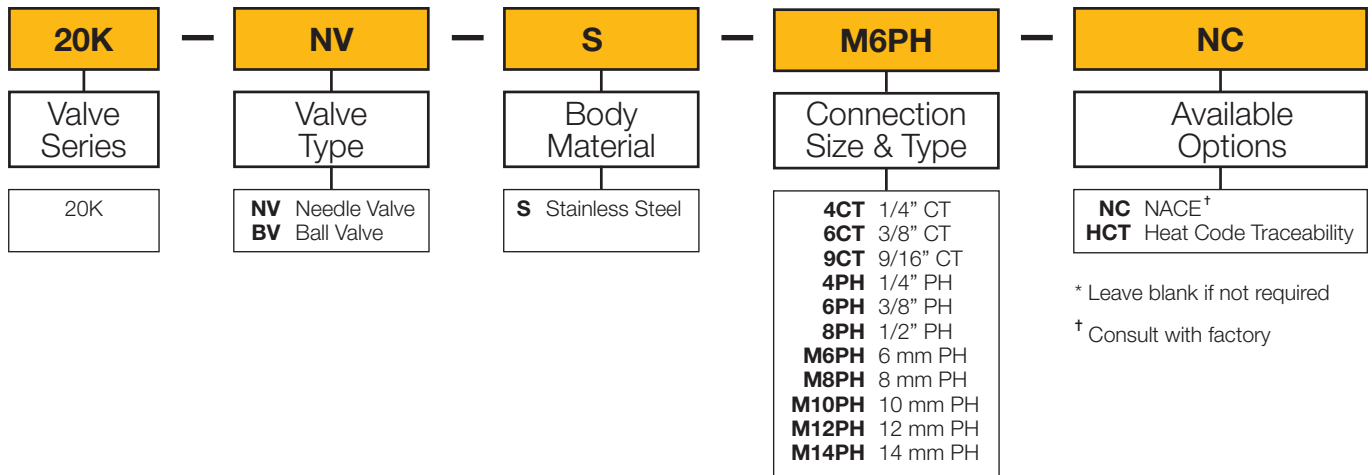
All valves required with cone and thread fittings are supplied complete with glands and collars, to meet the industry standard requirement for Autoclave style medium pressure 20,000 PSI connections.

It is the users responsibility to select the appropriate medium pressure 20,000 psi tubing, being 1/8 hard 316 seamless stainless steel tubing and designed to work with Autoclave style fittings.



# How to Order

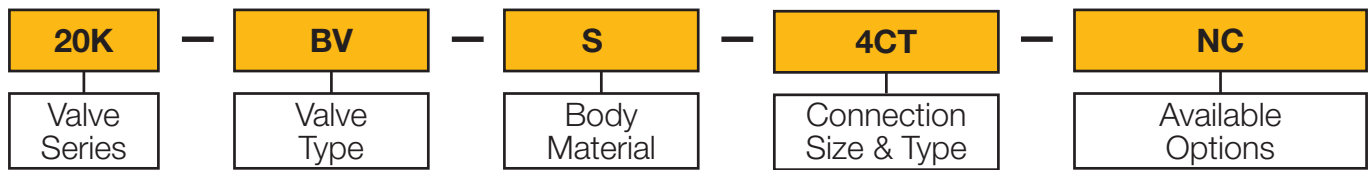
The correct part number is easily derived from the following number sequence. The five product characteristics required are coded as shown below.



## Examples



Describes a 20K Needle valve in stainless steel construction, equipped with 6mm Phastite® inlet and outlet. Supplied with Heat Code Traceability marking on all wetted parts.



Describes a 20K Ball Valve in stainless steel construction, equipped with 1/4" Cone & Thread inlet and outlet. Supplied with NACE Certification.

# Parker Worldwide

**AE – UAE, Dubai**  
Tel: +971 4 8875600  
parker.me@parker.com

**AR – Argentina, Buenos Aires**  
Tel: +54 3327 44 4129

**AT – Austria, Wiener Neustadt**  
Tel: +43 (0)2622 23501-0  
parker.austria@parker.com

**AT – Eastern Europe, Wiener Neustadt**  
Tel: +43 (0)2622 23501 970  
parker.easteurope@parker.com

**AU – Australia, Castle Hill**  
Tel: +61 (0)2-9634 7777

**AZ – Azerbaijan, Baku**  
Tel: +994 50 2233 458  
parker.azerbaijan@parker.com

**BE/LX – Belgium, Nivelles**  
Tel: +32 (0)67 280 900  
parker.belgium@parker.com

**BR – Brazil, Cachoeirinha RS**  
Tel: +55 51 3470 9144

**BY – Belarus, Minsk**  
Tel: +375 17 209 9399  
parker.belarus@parker.com

**CA – Canada, Milton, Ontario**  
Tel: +1 905 693 3000

**CH – Switzerland, Etoy**  
Tel: +41 (0) 21 821 02 30  
parker.switzerland@parker.com

**CN – China, Shanghai**  
Tel: +86 21 5031 2525

**CZ – Czech Republic, Klecany**  
Tel: +420 284 083 111  
parker.czechrepublic@parker.com

**DE – Germany, Kaarst**  
Tel: +49 (0)2131 4016 0  
parker.germany@parker.com

**DK – Denmark, Ballerup**  
Tel: +45 43 56 04 00  
parker.denmark@parker.com

**ES – Spain, Madrid**  
Tel: +34 902 33 00 01  
parker.spain@parker.com

**FI – Finland, Vantaa**  
Tel: +358 (0)20 753 2500  
parker.finland@parker.com

**FR – France, Contamine s/Arve**  
Tel: +33 (0)4 50 25 80 25  
parker.france@parker.com

**GR – Greece, Athens**  
Tel: +30 210 933 6450  
parker.greece@parker.com

**HK – Hong Kong**  
Tel: +852 2428 8008

**HU – Hungary, Budapest**  
Tel: +36 1 220 4155  
parker.hungary@parker.com

**IE – Ireland, Dublin**  
Tel: +353 (0)1 466 6370  
parker.ireland@parker.com

**IN – India, Mumbai**  
Tel: +91 22 6513 7081-85

**IT – Italy, Corsico (MI)**  
Tel: +39 02 45 19 21  
parker.italy@parker.com

**JP – Japan, Fujisawa**  
Tel: +(81) 4 6635 3050

**KR – South Korea, Seoul**  
Tel: +82 2 559 0400

**KZ – Kazakhstan, Almaty**  
Tel: +7 7272 505 800  
parker.easteurope@parker.com

**LV – Latvia, Riga**  
Tel: +371 6 745 2601  
parker.latvia@parker.com

**MX – Mexico, Apodaca**  
Tel: +52 81 8156 6000

**MY – Malaysia, Subang Jaya**  
Tel: +60 3 5638 1476

**NL – The Netherlands, Oldenzaal**  
Tel: +31 (0)541 585 000  
parker.nl@parker.com

**NO – Norway, Stavanger**  
Tel: +47 (0)51 826 300  
parker.norway@parker.com

**NZ – New Zealand, Mt Wellington**  
Tel: +64 9 574 1744

**PL – Poland, Warsaw**  
Tel: +48 (0)22 573 24 00  
parker.poland@parker.com

**PT – Portugal, Leca da Palmeira**  
Tel: +351 22 999 7360  
parker.portugal@parker.com

**RO – Romania, Bucharest**  
Tel: +40 21 252 1382  
parker.romania@parker.com

**RU – Russia, Moscow**  
Tel: +7 495 645-2156  
parker.russia@parker.com

**SE – Sweden, Spånga**  
Tel: +46 (0)8 59 79 50 00  
parker.sweden@parker.com

**SG – Singapore**  
Tel: +65 6887 6300

**SK – Slovakia, Banská Bystrica**  
Tel: +421 484 162 252  
parker.slovakia@parker.com

**SL – Slovenia, Novo Mesto**  
Tel: +386 7 337 6650  
parker.slovenia@parker.com

**TH – Thailand, Bangkok**  
Tel: +662 717 8140

**TR – Turkey, Istanbul**  
Tel: +90 216 4997081  
parker.turkey@parker.com

**TW – Taiwan, Taipei**  
Tel: +886 2 2298 8987

**UA – Ukraine, Kiev**  
Tel: +380 44 494 2731  
parker.ukraine@parker.com

**UK – United Kingdom, Barnstaple**  
Tel: +44 (0)1271 313131  
parker.uk@parker.com

**US – USA, Cleveland**  
Tel: +1 216 896 3000

**VE – Venezuela, Caracas**  
Tel: +58 212 238 5422

**ZA – South Africa, Kempton Park**  
Tel: +27 (0)11 961 0700  
parker.southafrica@parker.com

European Product Information Centre  
Free phone: 00 800 27 27 5374  
(from AT, BE, CH, CZ, DE, DK, EE, EI, ES, FI,  
FR, IT, NL, NO, PL, RU, SE, SK, UK, ZA)

